



UNIVERSITY OF CAMBRIDGE INTERNATIONAL EXAMINATIONS
General Certificate of Education Ordinary Level

CANDIDATE
NAME

CENTRE
NUMBER

--	--	--	--	--

CANDIDATE
NUMBER

--	--	--	--



PHYSICS

5054/03

Paper 3 Practical Test

October/November 2009

2 hours

Candidates answer on the Question Paper.

Additional Materials: As listed in the Confidential Instructions

READ THESE INSTRUCTIONS FIRST

Write your Centre number, candidate number and name on all the work you hand in.

Write in dark blue or black pen.

You may use a pencil for any diagrams, graphs or rough work.

Do not use staples, paper clips, highlighters, glue or correction fluid.

DO NOT WRITE IN ANY BARCODES.

Answer **all** questions.

For each of the questions in Section A, you will be allowed to work with the apparatus for a maximum of 20 minutes. For the question in Section B, you will be allowed to work with the apparatus for a maximum of 1 hour.

You are expected to record all your observations as soon as these observations are made.

An account of the method of carrying out the experiments is **not** required.

At the end of the examination, fasten all your work securely together.

The number of marks is given in brackets [] at the end of each question or part question.

For Examiner's Use	
1	
2	
3	
4	
Total	

This document consists of **9** printed pages and **3** blank pages.



Section A

Answer **all** questions in this section.

- 1 *In this experiment, you will investigate the cooling of a thermometer in air and when surrounded by insulation.*

You have been provided with a supply of boiling water, a thermometer, a stand, boss and clamp to hold the thermometer, a beaker containing some tissues and a stopwatch.

- (a) Place the thermometer in the supply of boiling water. Allow the temperature on the thermometer to rise to approximately 100°C . Leave the thermometer for approximately 1 minute.

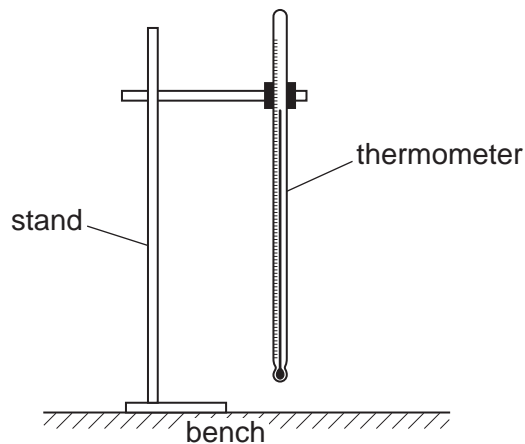


Fig. 1.1

Remove the thermometer and quickly support it in the clamp, as shown in Fig. 1.1.

- (b) When the temperature reaches 60.0°C , start the stopwatch and record the time t_1 for the temperature to fall to 50.0°C .

$t_1 = \dots\dots\dots$ [1]

- (c) Repeat (a). Remove the thermometer and quickly support it in the clamp, as shown in Fig. 1.2.

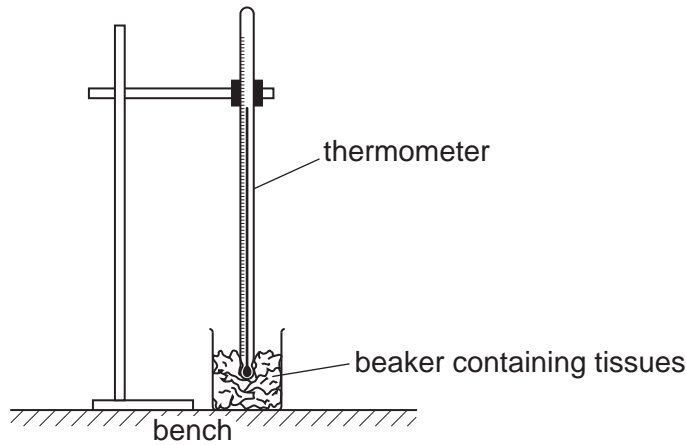


Fig. 1.2

The bulb of the thermometer should be placed in the middle of the tissues in the beaker.

- (d) When the temperature reaches 60.0°C, start the stopwatch and record the time t_2 for the temperature to fall to 50.0°C.

$t_2 = \dots\dots\dots$ [1]

- (e) The average rate of fall of temperature is given by

$$\frac{\text{temperature fall}}{\text{time taken for the fall}}$$

- (i) Determine the average rate of fall of temperature for both the thermometer in air and the thermometer surrounded by tissues.

rate of fall of temperature in air =

rate of fall of temperature in tissues =

- (ii) State the effect that the tissues have had on the rate at which the temperature falls.

.....
.....

[2]

- (f) Suggest why you were instructed to start and stop timing at the same temperature in both (b) and (d).

.....
..... [1]

- 2 In this experiment, you will investigate the bending of a beam when masses are added to the beam.

You have been provided with a metre rule, two metal support rods, a 0.500 kg mass, a loop of thread from which the mass may be suspended, a half-metre rule, a stand, boss and clamp to support the half-metre rule and a set square.

Do not adjust the height of the support rods in this experiment.

- (a) Place the metre rule on the support rods, as shown in Fig. 2.1.

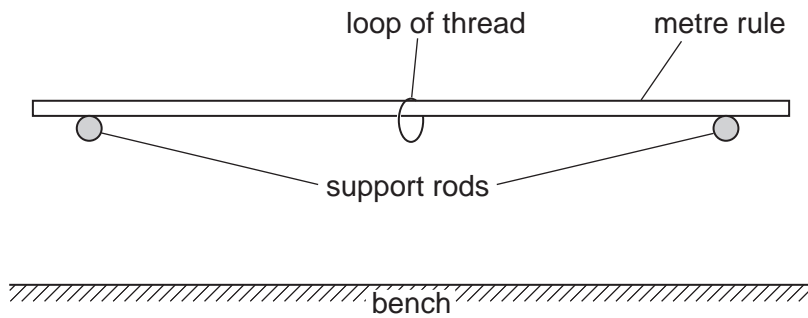


Fig. 2.1

The support rods should be at the 5.0 cm and 95.0 cm marks on the metre rule and the loop of thread should be at the 50.0 cm mark.

- (b) Clamp the half-metre rule vertically, with its scale facing towards you. The zero end of the half-metre rule should be uppermost. The half-metre rule should be placed behind the centre of the metre rule.
- (c) Suspend a mass $M = 0.500$ kg from the centre of the metre rule, as shown in Fig. 2.2.

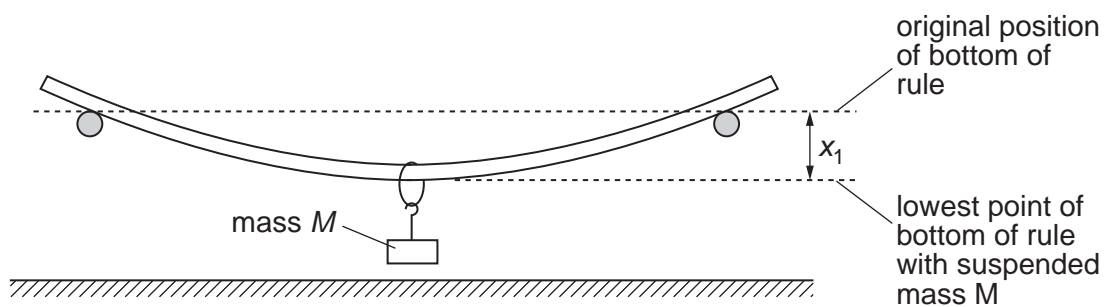
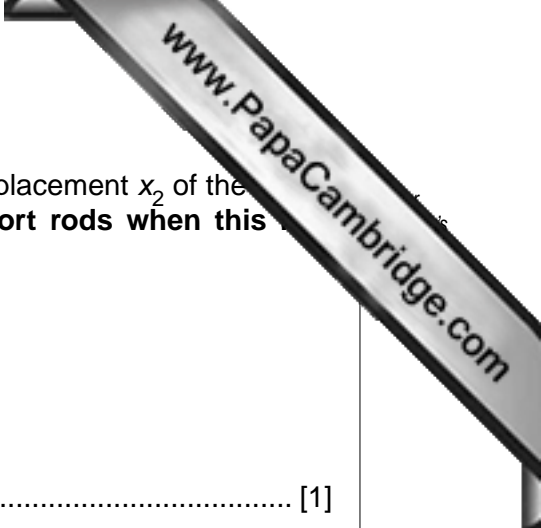


Fig. 2.2

Determine the vertical displacement x_1 of the centre of the rule, as shown in Fig. 2.2. Show the two readings that you took from the half-metre rule in order to determine x_1 .



(d) Repeat (c) with a mass $M = 0.200$ kg. Determine the new displacement x_2 of the metre rule. **Do not alter the position of the support rods when this displacement is determined.**

$x_2 = \dots\dots\dots$ [1]

(e) It is suggested that the displacement x is directly proportional to the mass M .

(i) Using your results from (c) and (d), determine two values of $\left(\frac{x}{M}\right)$.

first value of $\left(\frac{x}{M}\right) = \dots\dots\dots$

second value of $\left(\frac{x}{M}\right) = \dots\dots\dots$

(ii) Comment on whether your results support the suggestion that x is directly proportional to M .

.....
.....
.....
.....

[2]

[Total: 5]

3 In this experiment, you will investigate a table-tennis ball rolling down a ramp from rest.

You have been provided with a table-tennis ball, a stopwatch, a ramp, two metre rules attached to the ramp and a pile of paper towels to stop the ball at the end of the ramp.

(a) Determine the time t for the ball to travel a distance $x = 0.800$ m, from rest to the bottom of the ramp.

$t = \dots\dots\dots$ [2]

(b) Explain how you ensured that the distance travelled by the ball was exactly 0.800 m.

.....
.....
.....
..... [1]

(c) Calculate the acceleration a of the ball down the ramp, given that

$$a = \frac{2x}{t^2} .$$

$a = \dots\dots\dots$ [2]

[Total: 5]

Section B

- 4 In this experiment, you will investigate the power dissipated in resistors that are connected into a circuit.

You have been provided with a circuit containing a gap between two points labelled A and B. In addition to the circuit, you have two 100Ω resistors, two 1000Ω resistors and some extra connecting leads.

- (a) In the space below, draw a circuit diagram of the circuit that has been set up for you. Label points A and B on your circuit.

[2]

- (b) Connect one of the 100Ω resistors between points A and B.

- (i) Close the switch and measure the potential difference V between points A and B.

$V = \dots\dots\dots$

- (ii) Calculate the power P dissipated in the resistor, using the equation

$$P = \frac{V^2}{R}$$

where R is the resistance between points A and B.

$P = \dots\dots\dots$

[2]

- (c) (i) Using the two $100\ \Omega$ resistors in both a series and a parallel combination between points A and B, obtain two further values for V .

V for series combination =

V for parallel combination =

- (ii) Two $100\ \Omega$ resistors connected in series have a total resistance of $200\ \Omega$. Two $100\ \Omega$ resistors connected in parallel have a total resistance of $50\ \Omega$. Record your values of V obtained in (b)(i) and (c)(i) in Fig. 4.1.

R/Ω	$V/$	$P/$
100		
200		
50		

Fig. 4.1

- (iii) Calculate the power P dissipated in each resistor arrangement and record these in Fig. 4.1. Add units to the column headings.
- (iv) Remove the $100\ \Omega$ resistors from between points A and B and connect one of the $1000\ \Omega$ resistors between these points. Measure V and calculate P for the $1000\ \Omega$ resistor. Record these values in Fig. 4.1.
- (v) Using the two $1000\ \Omega$ resistors in both a series and a parallel combination between A and B, obtain two further sets of values of R , V and P . Record all your values in Fig. 4.1.

[5]

- (d) Using the grid opposite, plot a graph of P/W on the y -axis against R/Ω on the x -axis. [4]

- (e) Use your graph to determine the value of R that gives the maximum power dissipation.

$R =$ [2]

